

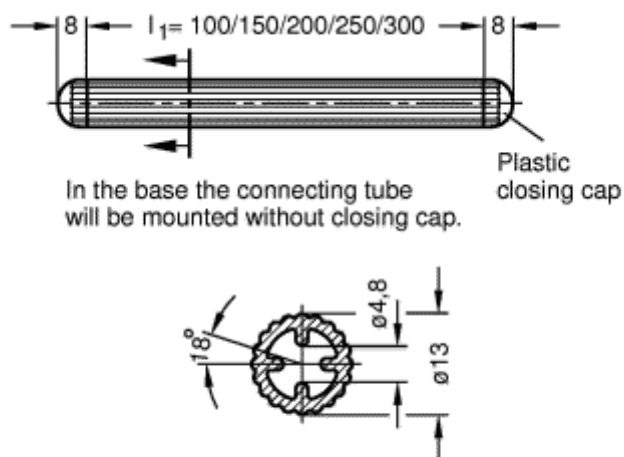
Data Sheet



Article number: 2310440065

Description: E+G MSR pipe $\text{\O}13\text{X}250\text{mm}$
MSR.60-T13-250

Measures



Colour = 250mm